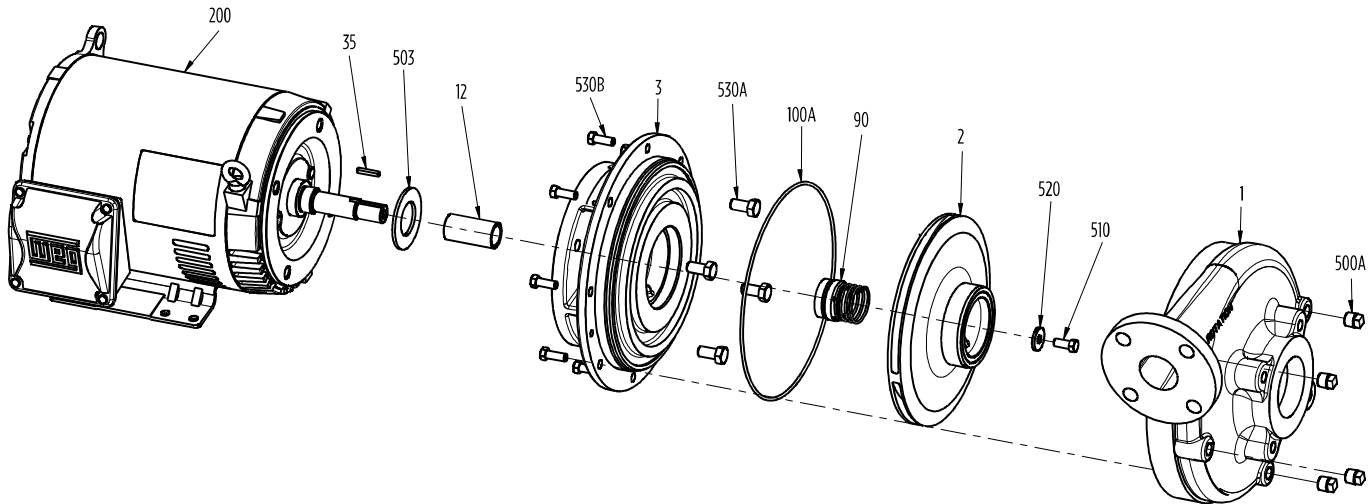


CENTRIFUGAL PUMPS

CLOSE-COUPLED AG SERIES

☰ MENU



Repair Parts		A2X3-10 (3600 RPM) [Discontinued]	Mechanical Seal Construction		
		AL2X3-10 (1800 RPM)			
Sealing	Figure No.	Part Description	Repair No.		Materials of Construction
			4.5AK* Models	8.5AK* Models	
Mechanical	1	Volute Case, NPT w/plugs	305411923		Cast iron, ASTM-A48 CL30
	Not Shown	Volute Case, Flange w/plugs	305411907		Cast iron, ASTM-A48 CL30
	2	Impeller, 3 hp 4-pole, 9.00" trim (.875" bore)	305411953	N/A	Cast iron, ASTM-A48 CL30
	2	Impeller, 7.5 hp 2-pole, 1 hp 4-pole, 6.75" trim (.875" bore)	305411924		Cast iron, ASTM-A48 CL30
	2	Impeller, 10 hp 2-pole, 1.5 hp 4-pole, 7.38" trim (.875" bore)	305411925		Cast iron, ASTM-A48 CL30
	2	Impeller, 15 hp 2-pole, 2 hp 4-pole, 8.25" trim (.875" bore)	305411926		Cast iron, ASTM-A48 CL30
	2	Impeller, 20 hp 2-pole, 9.00" trim (1.250" bore)	305411927		Cast iron, ASTM-A48 CL30
	3	Motor Bracket, 4.5AK	305411928	N/A	Cast iron, ASTM-A48 CL30
	3	Motor Bracket, 7.5-15 hp	N/A	305411929	Cast iron, ASTM-A48 CL30
	3	Motor Bracket, 20 hp	N/A	305411930	Cast iron, ASTM-A48 CL30
	12	Shaft Sleeve, 7.5-15 hp	305463248		416 stainless steel
	12	Shaft Sleeve, 20 hp	N/A	305463249	416 stainless steel
	35	Key, Impeller Shaft, 7.5-15 hp	305463001		301 stainless steel
	35	Key, Impeller Shaft, 20 hp	N/A	305463150	316 stainless steel
	90	Mechanical Shaft Seal, 3-15 hp	305463002		Carbon/ceramic/nitrile/316 stainless steel
	90	Mechanical Shaft Seal, 20 hp	N/A	305463012	Carbon/ceramic/nitrile/316 stainless steel
	100A	O-ring, Volute Case, 3-10 hp (2 pack)	305418925		Nitrile
	500A	Pipe Plug (4 pack)	305463175		Zinc-plated steel
	503	Water Slinger	305450007	305447008	Neoprene
	503	Water Slinger, 20 hp	N/A	305447008	Neoprene
	510	Hex Cap Screw, Impeller	305463006		410 stainless steel
	510	Hex Cap Screw, Impeller, 20 hp	N/A	305463024	410 stainless steel
	520	Washer, Impeller	305447009		300 Series stainless steel
	520	Washer, Impeller, 20 hp	N/A	305463270	416 stainless steel
530A	Hex Cap Screw, Motor Bracket, 7.5-15 hp (12 pack)	305463053	305463053	Zinc-plated steel	
530A	Hex Cap Screw, Motor Bracket, 20 hp (12 pack)	N/A	305463016	Zinc-plated steel	
530B	Hex Cap Screw, Volute Case (4 pack)	305463010		Zinc-plated steel	

MOTOR FITMENT

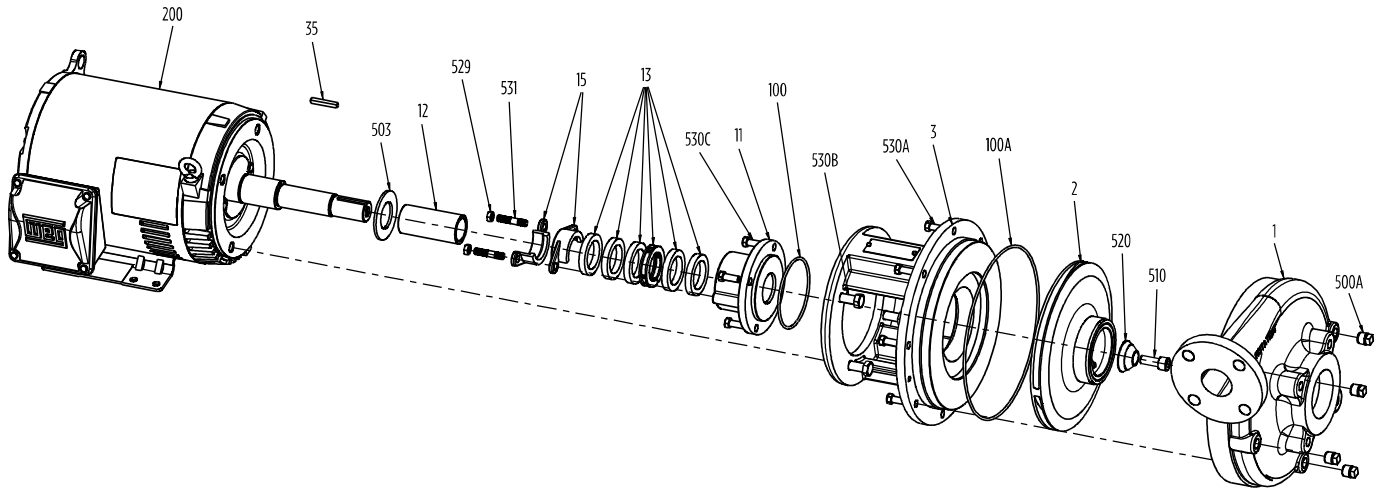
Figure No.	3600	1800	Frame	AK	Shaft Dia	Mtr Code
200	7.5HP	1 - 3HP	143-184JM	4.5	0.875	JM-1
	7.5 - 15HP	-	213-215JM	8.5	0.875	JM-2
	20HP	-	254-256JM	8.5	1.25	JM-3

Refer to motor specifications page for replacement information
 Motor Frame can be determined by the pump order number and or motor nameplate

CENTRIFUGAL PUMPS

CLOSE-COUPLED AG SERIES

☰ MENU



Repair Parts		A2X3-10 (3600 RPM) [Discontinued]		Packing Seal Construction	
Figure No.	Part Description	Repair No.		Materials of Construction	
		4.5AK Models	8.5AK Models		
1	Volute Case, NPT w/plugs	305411923		Cast iron, ASTM-A48 CL30	
not shown	Volute Case, Flange w/plugs	305411907		Cast iron, ASTM-A48 CL30	
2	Impeller, 7-1/2 hp 6.750" trim (.875 bore)	305411924	305411931	Cast iron, ASTM-A48 CL30	
2	Impeller, 10 hp 7.375" trim (1.250 bore)	N/A	305411932	Cast iron, ASTM-A48 CL30	
2	Impeller, 15 hp 8.250" trim (1.250 bore)	N/A	305411933	Cast iron, ASTM-A48 CL30	
2	Impeller, 20 hp 9.000" trim (1.250 bore)	N/A	305411927	Cast iron, ASTM-A48 CL30	
3	Motor Bracket	305411934	305412902	Cast iron, ASTM-A48 CL30	
11	Packing Seal Box	305447004	305448005	Cast iron, ASTM-A48 CL30	
12	Shaft Sleeve	305448006	305452010	416 stainless steel	
13	Packing Ring Set	305447006	305448009	Graphite/cotton	
14	Lantern Ring	N/A	305448010	Teflon	
15	Packing Gland (2-Piece)	305447007	305448011	316 stainless steel	
21	Packing Gland Assembly	305411935	305411936	Various	
35	Key, Impeller Shaft	305463001	305463150	301 stainless steel	
100	O-Ring, Packing Seal Box	305463003	305463013	Nitrile	
100A	O-Ring, Volute Case (15hp-20hp) 2-pack	305418925		Nitrile	
500A	Pipe Plug (4-pack)	305463175		Zinc-plated steel	
502	Grease Fitting (2-pack)	N/A	305463015	Zinc-plated steel	
503	Water Slinger	305450007	305447008	Neoprene	
510	Hex Cap Screw, Impeller	305463006	305463024	410 stainless steel/17-4 stainless steel	
520	Washer, Impeller	305447009	305463270	416 stainless steel	
529	Nut, Packing Gland (4-pack)	305463007		Zinc-plated steel	
530A	Hex Cap Screw, Motor Bracket	305463010	305463016	Zinc-plated steel	
530B	Hex Cap Screw, Volute Case (12-Pack)	305463010		Zinc-plated steel	
530C	Hex Cap Screw, Seal Box (12-Pack)	305463010		Zinc-plated steel	
531	Stud, Packing Gland (4-pack)	305463008		Zinc-plated steel	

MOTOR FITMENT

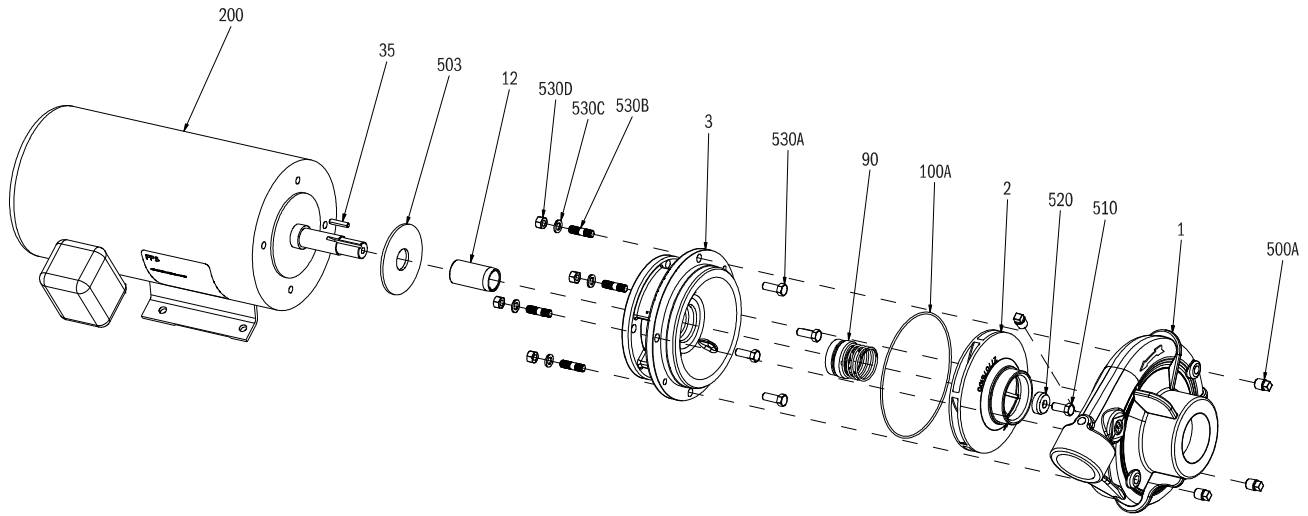
Figure No.	3600RPM	Frame	AK	Shaft Dia	Mtr Code
200	7.5HP	145-184JP	4.5	0.875	JP-1
	7.5 - 20HP	213-256JP	8.5	1.25	JP-2

Refer to motor specifications page for replacement information
 Motor Frame can be determined by the pump order number and or motor nameplate

CENTRIFUGAL PUMPS

CLOSE-COUPLED AG SERIES

☰ MENU



Repair Parts		A2x2.5-6 (3600 RPM)		AL2x2.5-6 (1800 RPM)		Mechanical Seal Construction	
		Figure No.	Part Description	Repair No. 4.5AK Models	Repair No. 8.5AK Models	Materials of Construction	
1	Volute Case (NPT) w/plugs	305564001		Cast iron, ASTM-A48 CL30			
Not Shown	Volute Case (Flange) w/plugs	305564010		Cast iron, ASTM-A48 CL30			
2	Impeller, 3 hp 2-pole, 4.125" trim (.875 Bore)	305564002	N/A	Cast iron, ASTM-A48 CL30			
2	Impeller, 5 hp 2-pole, 4.875" trim (.875 Bore)	305564003	N/A	Cast iron, ASTM-A48 CL30			
2	Impeller, 7.5 hp 2-pole, 1 hp 4-pole, 5.500" trim (.875 Bore)	305564004		Cast iron, ASTM-A48 CL30			
2	Impeller, 10 hp 2-pole, 1.5 hp 4-pole, 6.000" trim (.875 Bore)	305564007		Cast iron, ASTM-A48 CL30			
2	Impeller, 15 hp 2-pole, 2 hp 4-pole, 6.413" trim (.875 Bore)	305564013		Cast iron, ASTM-A48 CL30			
3	Motor Bracket	305564005	305564008	Cast iron, ASTM-A48 CL30			
12	Sleeve, Mechanical Seal	305463227		416 stainless steel			
35	Key, Impeller Shaft	305463001		301 stainless steel			
90	Mechanical Shaft Seal	305463002		Carbon/ceramic/nitrile/316 stainless steel			
100A	O-Ring, Volute Case (2-pack)	305463004		Nitrile			
500A	Pipe Plug (4-pack)	305463020		Zinc-plated steel			
503	Slinger	305450007		Neoprene			
510	Hex Cap Screw, Impeller	305463006		410 stainless steel			
520	Washer, Impeller	305463228		300 series stainless steel			
530A	Hex Cap Screw, Motor Bracket (12 Pack)	305463010	305463026	Zinc-plated steel			
530B	Studs, Volute Case (4 Pack)	305463229		Zinc-plated steel			
530C	Lockwashers, Volue Case (6 Pack)	305463135		Zinc-plated steel			
530D	Nut, Volute Case	305463033		Zinc-plated steel			

MOTOR FITMENT

Figure No.	3600	1800	Frame	AK	Shaft Dia	Mtr Code
200	3 - 7.5HP	1 - 2HP	143-184JM	4.5	0.875	JM-1
	7.5 - 15HP	-	213-215JM	8.5	0.875	JM-2

Refer to motor specifications page for replacement information
 Motor Frame can be determined by the pump order number and or motor nameplate

CENTRIFUGAL PUMPS

CLOSE-COUPLED AG SERIES

☰ MENU

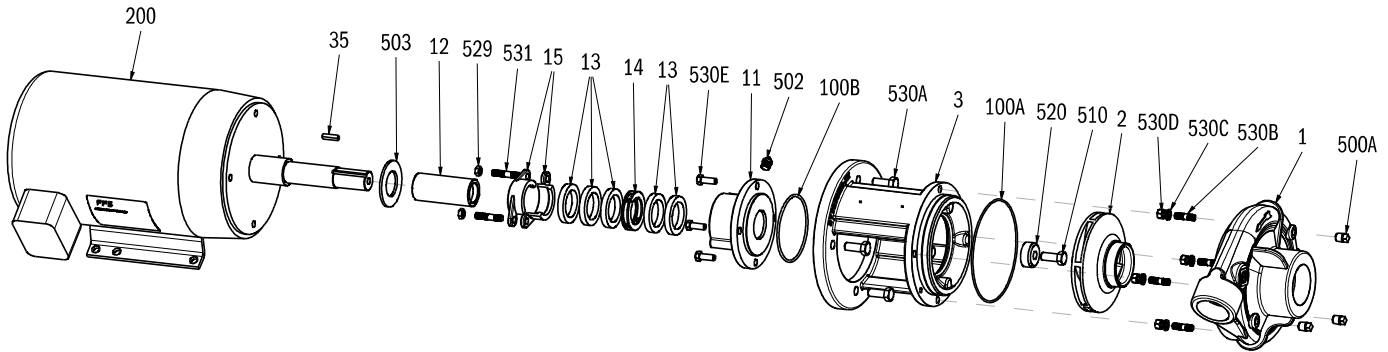


Figure No.	Repair Parts	A2x2.5-6 (3600 RPM) [Discontinued]		Packing Seal Construction	
		Part Description	Repair No. 4.5AK Models	Repair No. 8.5AK Models	Materials of Construction
1	Volute Case (NPT) w/plugs		305564001		Cast iron, ASTM-A48 CL30
Not Shown	Volute Case (Flange) w/plugs		305564010		Cast iron, ASTM-A48 CL30
2	Impeller, 3 hp 4.125" trim (.875 Bore)		305564002	N/A	Cast iron, ASTM-A48 CL30
2	Impeller, 5 hp 4.750" trim (.875 Bore)		305564003	N/A	Cast iron, ASTM-A48 CL30
2	Impeller 7.5 hp 1ph 5.500" trim (.875 Bore)		305564004	N/A	Cast iron, ASTM-A48 CL30
2	Impeller 7.5 hp 3ph 5.500" trim (1.250 Bore)		N/A	305564011	Cast iron, ASTM-A48 CL30
2	Impeller 10 hp 6.000" trim (1.250 Bore)		N/A	305564014	Cast iron, ASTM-A48 CL30
2	Impeller 15 hp 6.413" trim (1.250 Bore)		N/A	305564012	Cast iron, ASTM-A48 CL30
3	Motor Bracket		305564006	305564009	Cast iron, ASTM-A48 CL30
11	Packing Seal Box		305447004	305448005	Cast iron, ASTM-A48 CL30
12	Sleeve, Shaft		305448006	305464010	416 stainless steel
13	Packing Ring Set		305447006	305448009	Graphite/cotton
14	Lantern Ring		N/A	305448010	Teflon
15	Packing Gland (2-Piece)		305447007	305448011	316 stainless steel
35	Key, Impeller Shaft		305463001	305448012	301 stainless steel
100A	O-Ring, Volute Case (2-pack)		305463004		Nitrile
100B	O-Ring, Seal Box (2-pack)		305463003	305463013	Nitrile
500A	Pipe Plug (4-pack)		305463020		Zinc-plated steel
502	Grease fitting		N/A	305463015	Zinc-plated steel
503	Slinger		305450007	305447008	Neoprene
510	Hex Cap Screw, Impeller		305463006	305463024	410 stainless steel/17-4 stainless steel
520	Washer, Impeller		305463228	305463230	300 series stainless steel
529	Nut, Packing Gland (4-pack)		305463007		Zinc-plated steel
530A	Hex Cap Screw, Motor Bracket (12 Pack)		305463010	305463016	Zinc-plated steel
530B	Stud, Volute Case (4 Pack)		305463229		Zinc-plated steel
530C	Lockwashers, Volute Case (6 Pack)		305463135		Zinc-plated steel
530D	Nut, Volute Case		305463033		Zinc-plated steel
530E	Hex Cap Screw, Seal Box (12-pack)		305463010		Zinc-plated steel
531	Stud, Packing Gland (4-pack)		305463008		Zinc-plated steel

MOTOR FITMENT

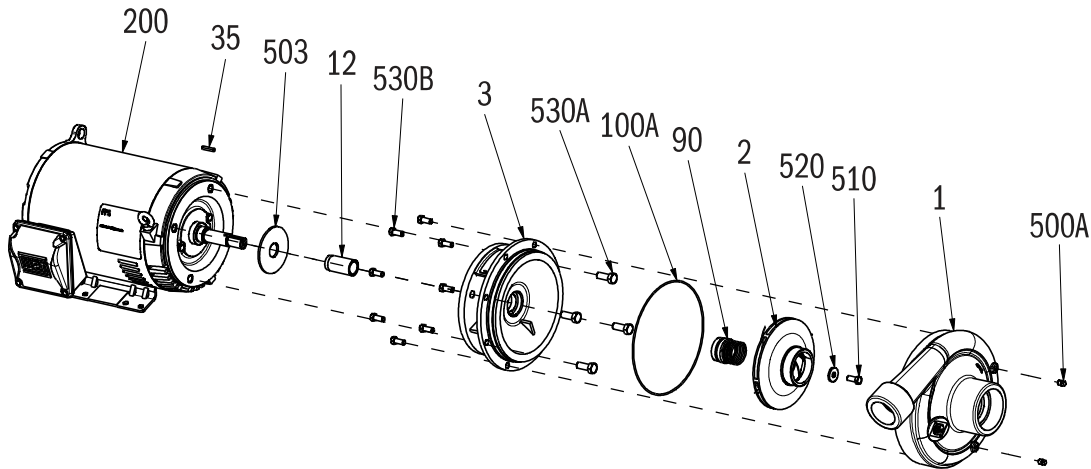
Figure No.	3600	Frame	AK	Shaft Dia	Mtr Code
200	3 - 7.5HP	145-184JP	4.5	0.875	JP-1
	7.5 - 15HP	213-215JP	8.5	1.25	JP-2

Refer to motor specifications page for replacement information
 Motor Frame can be determined by the pump order number and or motor nameplate

CENTRIFUGAL PUMPS

CLOSE-COUPLED AG SERIES

☰ MENU



Repair Parts		A2x3-8 (3600 RPM)		AL2x3-8 (1800 RPM)		Mechanical Seal Construction	
Figure No.	Part Description	Repair No.		Materials of Construction			
		4.5AK Models	8.5AK Models				
1	Volute Case, NPT w/plugs	305450002		Cast iron, ASTM-A48 CL30			
not shown	Volute Case, Flange w/plugs	305450028		Cast iron, ASTM-A48 CL30			
2	Impeller, 7.5 hp 2-pole, 1 hp 4-pole, 5.875" trim (.875 bore)	305450033		Cast iron, ASTM-A48 CL30			
2	Impeller, 10 hp 2-pole, 1.5 hp 4-pole, 6.500" trim (.875 bore)	305450034		Cast iron, ASTM-A48 CL30			
2	Impeller, 15 hp 2-pole, 2 hp 4-pole, 7.250" trim (.875 bore)	305450029		Cast iron, ASTM-A48 CL30			
2	Impeller, 3 hp 4-pole, 7.938" trim (.875 bore)	305450039	N/A	Cast iron, ASTM-A48 CL30			
2	Impeller, 20 hp 2-pole, 7.938" trim (1.250 bore)	N/A	305450030	Cast iron, ASTM-A48 CL30			
3	Motor Bracket	305449016	305449017	Cast iron, ASTM-A48 CL30			
3	Motor Bracket 20 hp	N/A	305450025	Cast iron, ASTM-A48 CL30			
12	Shaft Sleeve	305463240		416 stainless steel			
12	Shaft Sleeve 20 hp	N/A	305463241	416 stainless steel			
35	Key, Impeller Shaft	305463001		301 stainless steel			
35	Key, Impeller Shaft 20 hp	N/A	305450006	316 stainless steel			
90	Mechanical Shaft Seal	305463002		Carbon/ceramic/nitrile/316 stainless steel			
90	Mechanical Shaft Seal 20 hp	N/A	305463204	Carbon/ceramic/nitrile/316 stainless steel			
100A	O-Ring, Volute Case (2-Pack)	305463018		Nitrile			
500A	Pipe Plug (4-pack)	305463009		Zinc-plated steel			
503	Water Slinger	305450007		Neoprene			
503	Water Slinger, 20 hp	N/A	305447008	Neoprene			
510	Hex Cap Screw, Impeller	305463006		410 stainless steel			
510	Hex Cap Screw, Impeller 20 hp	N/A	305463185	17-4 stainless steel			
520	Washer, Impeller	305447009		300 series stainless steel			
520	Washer, Impeller 20 hp	N/A	305450015	18-8 stainless steel			
530A	Hex Cap Screw, Motor Bracket (12-Pack)	305463010	305463016	Zinc-plated steel			
530A	Hex Cap Screw, Motor Bracket 20hp (12-Pack)	N/A	305463207	Zinc-plated steel			
530B	Hex Cap Screw, Volute Case (4-Pack)	305463010	305463064	Zinc-plated steel			
530B	Hex Cap Screw, Volute Case 20hp (4-Pack)	N/A	305463030	Zinc-plated steel			

MOTOR FITMENT

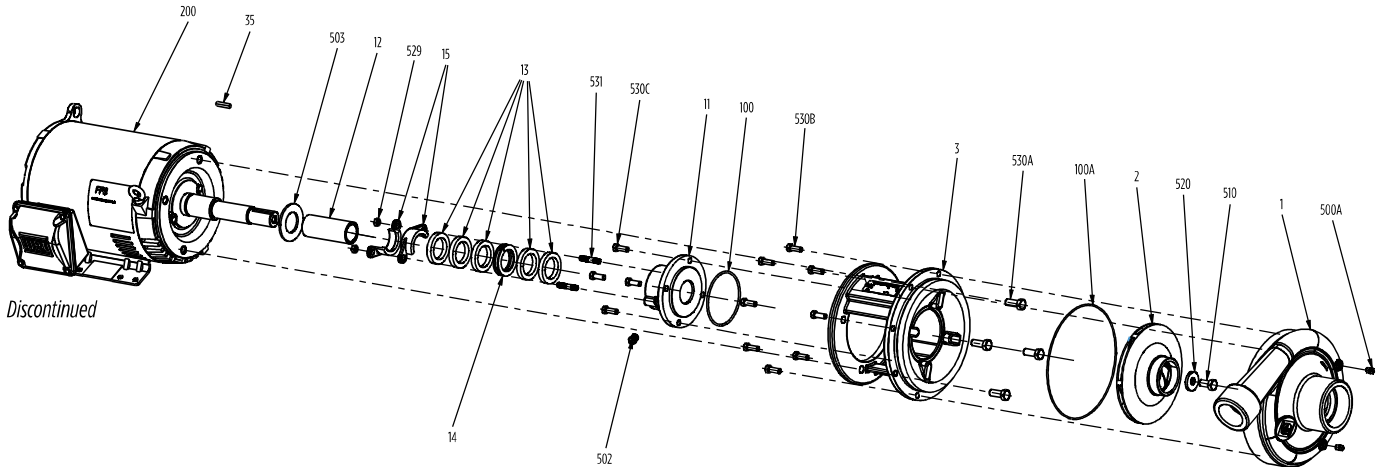
Figure No.	3600	1800	Frame	AK	Shaft Dia	Mtr Code
200	7.5HP	1 - 3HP	143-184JM	4.5	0.875	JM-1
	7.5 - 15HP	-	213-215JM	8.5	0.875	JM-2
	20HP	-	254-256JM	8.5	1.25	JM-3

Refer to motor specifications page for replacement information
 Motor Frame can be determined by the pump order number and or motor nameplate

CENTRIFUGAL PUMPS

CLOSE-COUPLED AG SERIES

☰ MENU



Discontinued

Figure No.	Repair Parts	A2x3-8 (3600 RPM) [Discontinued]		Packing Seal Construction	
		Part Description	Repair No.		Materials of Construction
		4.5AK Models	8.5AK Models		
1	Volute Case, NPT w/plugs	305450002		Cast iron, ASTM-A48 CL30	
not shown	Volute Case, Flange w/plugs	305450028		Cast iron, ASTM-A48 CL30	
2	Impeller, 7.5 hp 3ph 5.875" trim (.875 bore)	305450033	N/A	Cast iron, ASTM-A48 CL30	
2	Impeller, 7.5 hp 1ph 5.875" trim (1.250 bore)	N/A	305450035	Cast iron, ASTM-A48 CL30	
2	Impeller, 10 hp 6.500" trim (1.250 bore)	N/A	305450036	Cast iron, ASTM-A48 CL30	
2	Impeller, 15 hp 7.250" trim (1.250 bore)	N/A	305450031	Cast iron, ASTM-A48 CL30	
2	Impeller, 20 hp 7.938" trim (1.250 bore)	N/A	305450032	Cast iron, ASTM-A48 CL30	
3	Motor Bracket	305449002	305449003	Cast iron, ASTM-A48 CL30	
11	Packing Seal Box	305447004	305448005	Cast iron, ASTM-A48 CL30	
12	Shaft Sleeve	305448006	305449005	416 stainless steel	
13	Packing Ring Set	305447006	305448009	Graphite/cotton	
14	Lantern Ring	N/A	305448010	Teflon	
15	Packing Gland (2-Piece)	305447007	305448011	316 stainless steel	
35	Key, Impeller Shaft	305463001	305450006	316 stainless steel	
100	O-Ring, Packing Seal Box	305463003	305463013	Nitrile	
100A	O-Ring, Volute Case (2-pack)	305463018		Nitrile	
500A	Pipe Plug (4-pack)	305463009		Zinc-plated steel	
502	Grease Fitting (2-pack)	N/A	305463015	Zinc-plated steel	
503	Water Slinger	305450007	305447008	Neoprene	
510	Hex Cap Screw, Impeller	305463006	305463019	410 stainless steel/17-4 stainless steel	
520	Washer, Impeller	305447009	305450015	18-8 stainless steel	
529	Nut, Packing Gland (4-pack)	305463007		Zinc-plated steel	
530A	Hex Cap Screw, Motor Bracket	305463010	305463016	Zinc-plated steel	
530B	Hex Cap Screw, Volute Case (12-Pack)	305463010		Zinc-plated steel	
530C	Hex Cap Screw, Seal Box (12-Pack)	305463010		Zinc-plated steel	
531	Stud, Packing Gland (4-pack)	305463008		Zinc-plated steel	

MOTOR FITMENT

Figure No.	3600	1800	Frame	AK	Shaft Dia	Mtr Code
200	7.5HP	1- 3HP	143-184JM	4.5	0.875	JM-1
	7.5 - 15HP	-	213-215JM	8.5	0.875	JM-2
	20HP	-	254-256JM	8.5	1.25	JM-3

Refer to motor specifications page for replacement information
 Motor Frame can be determined by the pump order number and or motor nameplate